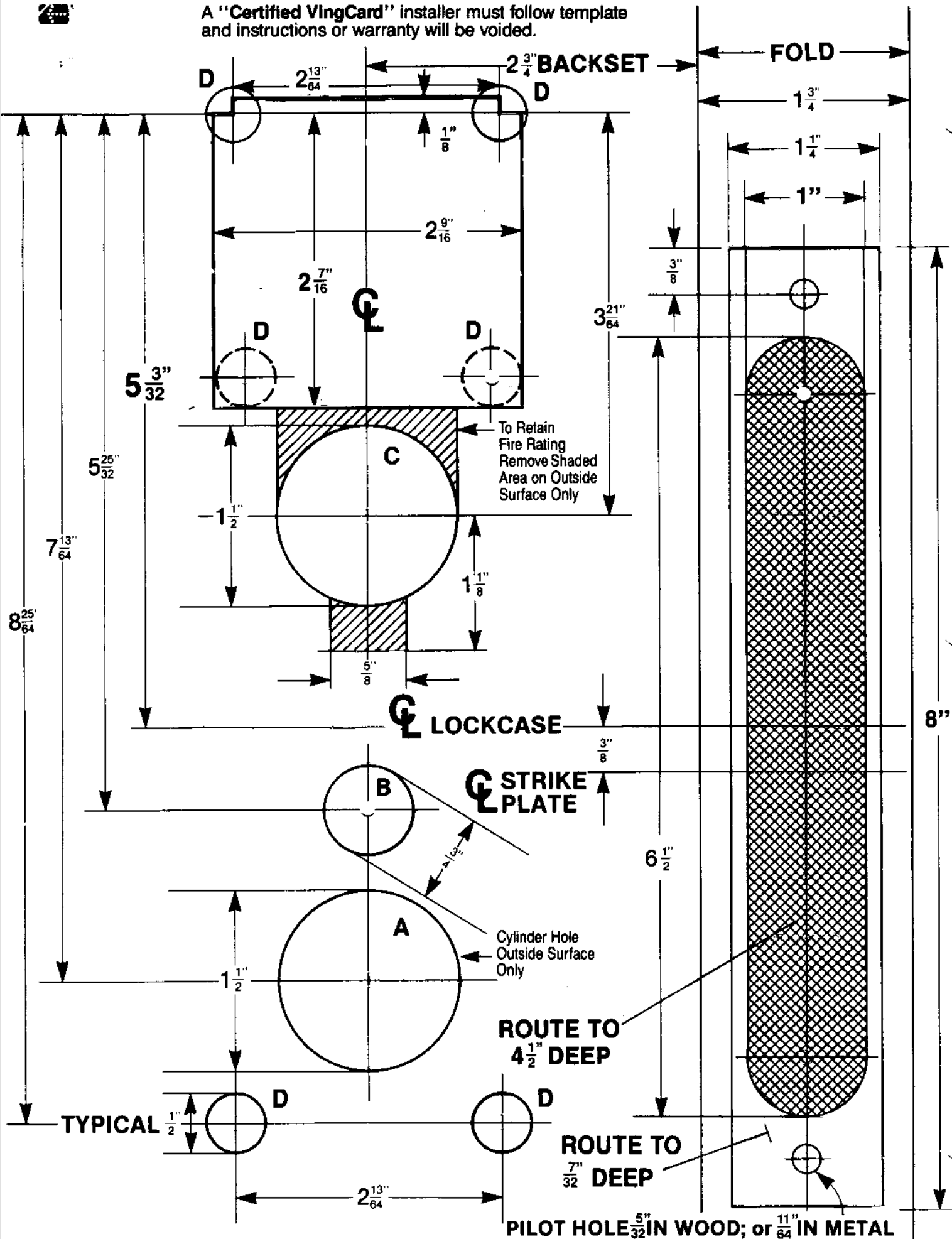




A "Certified VingCard" installer must follow template and instructions or warranty will be voided.

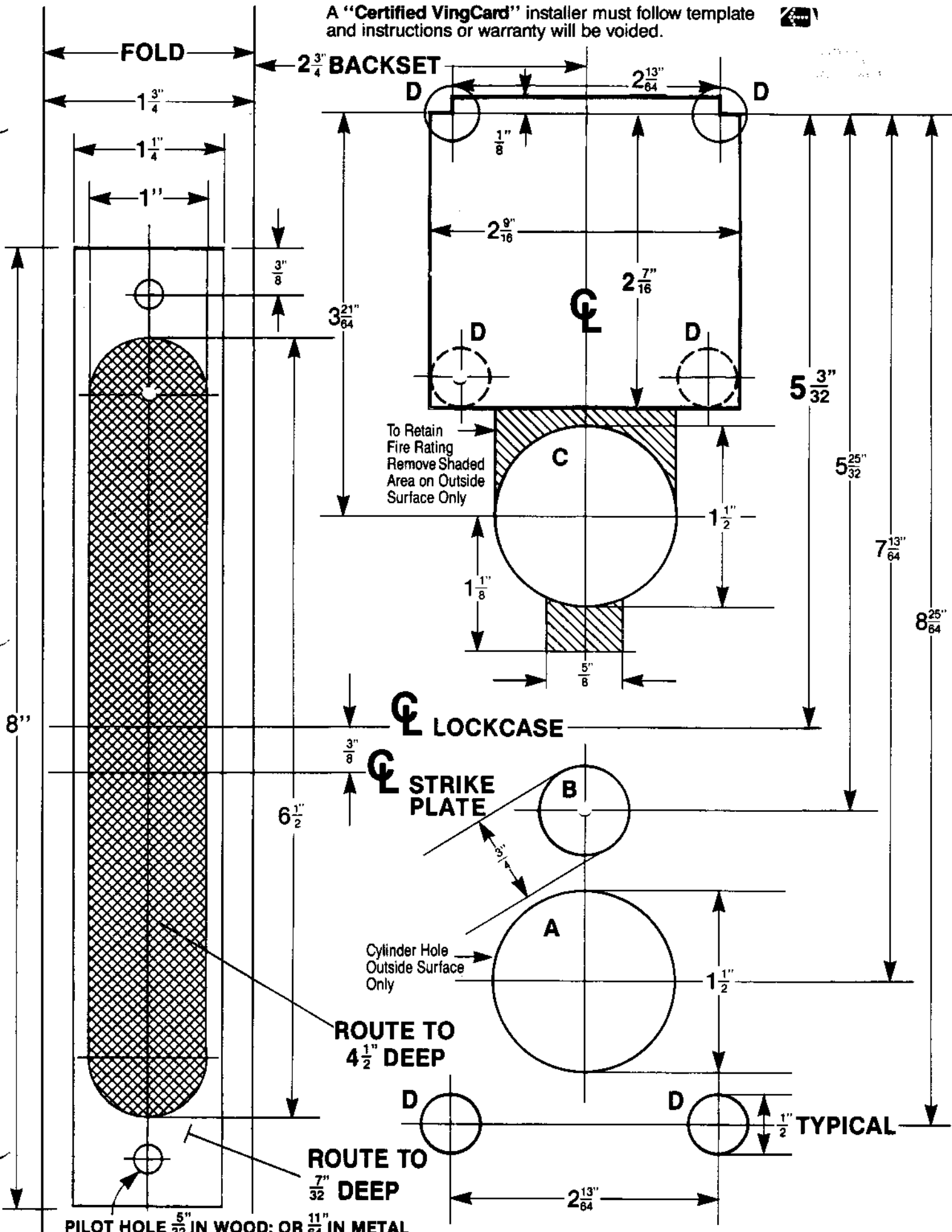


CARD OPERATED/CYLINDER BELOW HANDLE INSTALLATION TEMPLATE

092-1058-000 8-91

LEFT HAND

A "Certified VingCard" installer must follow template and instructions or warranty will be voided.



RIGHT HAND

CARD OPERATED/CYLINDER BELOW HANDLE INSTALLATION TEMPLATE

092-1058-000 8-91