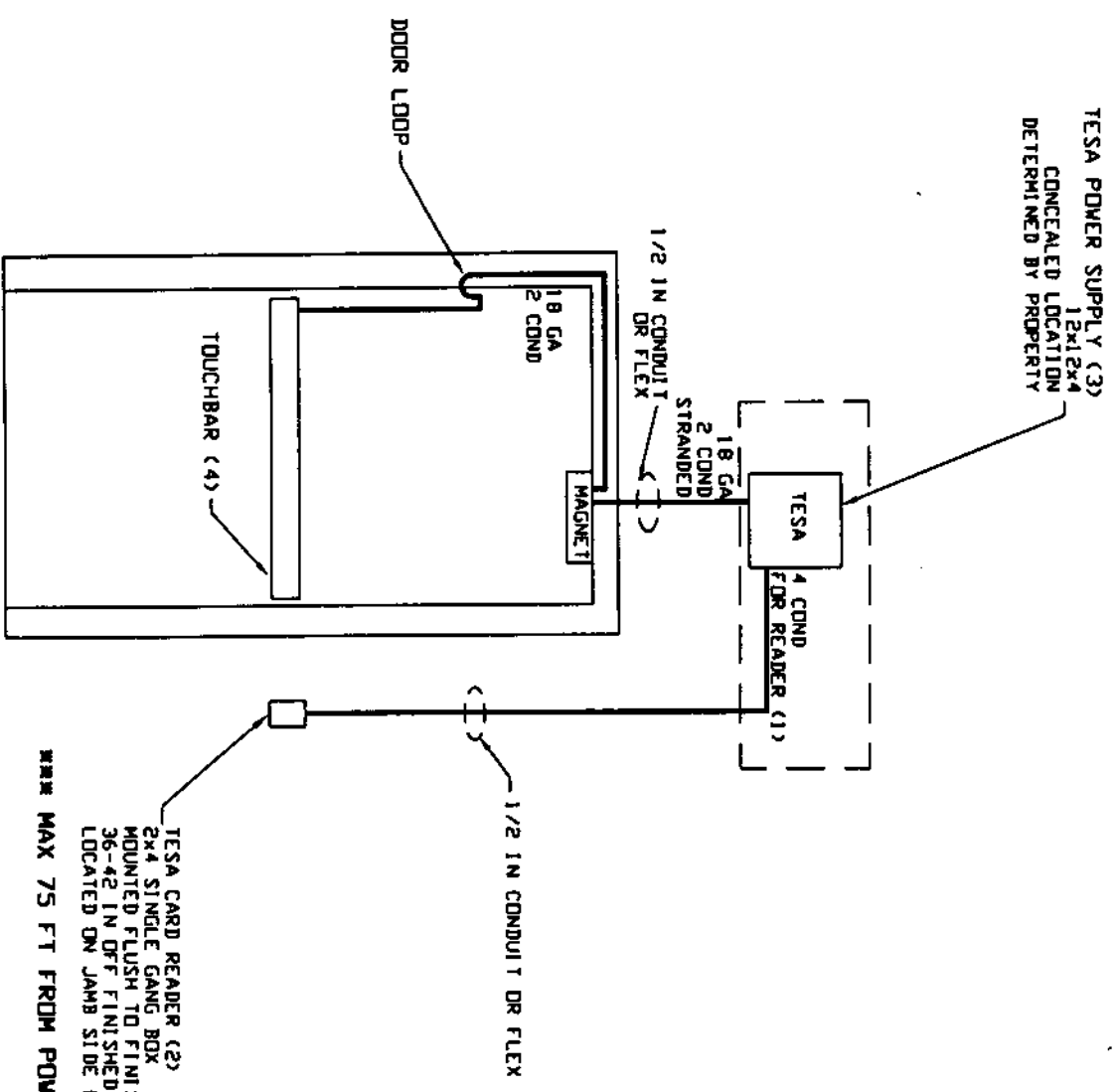


**ALL EQUIPMENT MUST BE 12VDC,
FAIL SAFE CONTINUOUS DUTY**

- *** POWER SUPPLIES REQUIRED AT EACH OPENING
- *** SEPARATE CIRCUIT NOT REQUIRED
- *** POWER SUPPLY SHOULD BE HARD WIRED TO 110 VAC

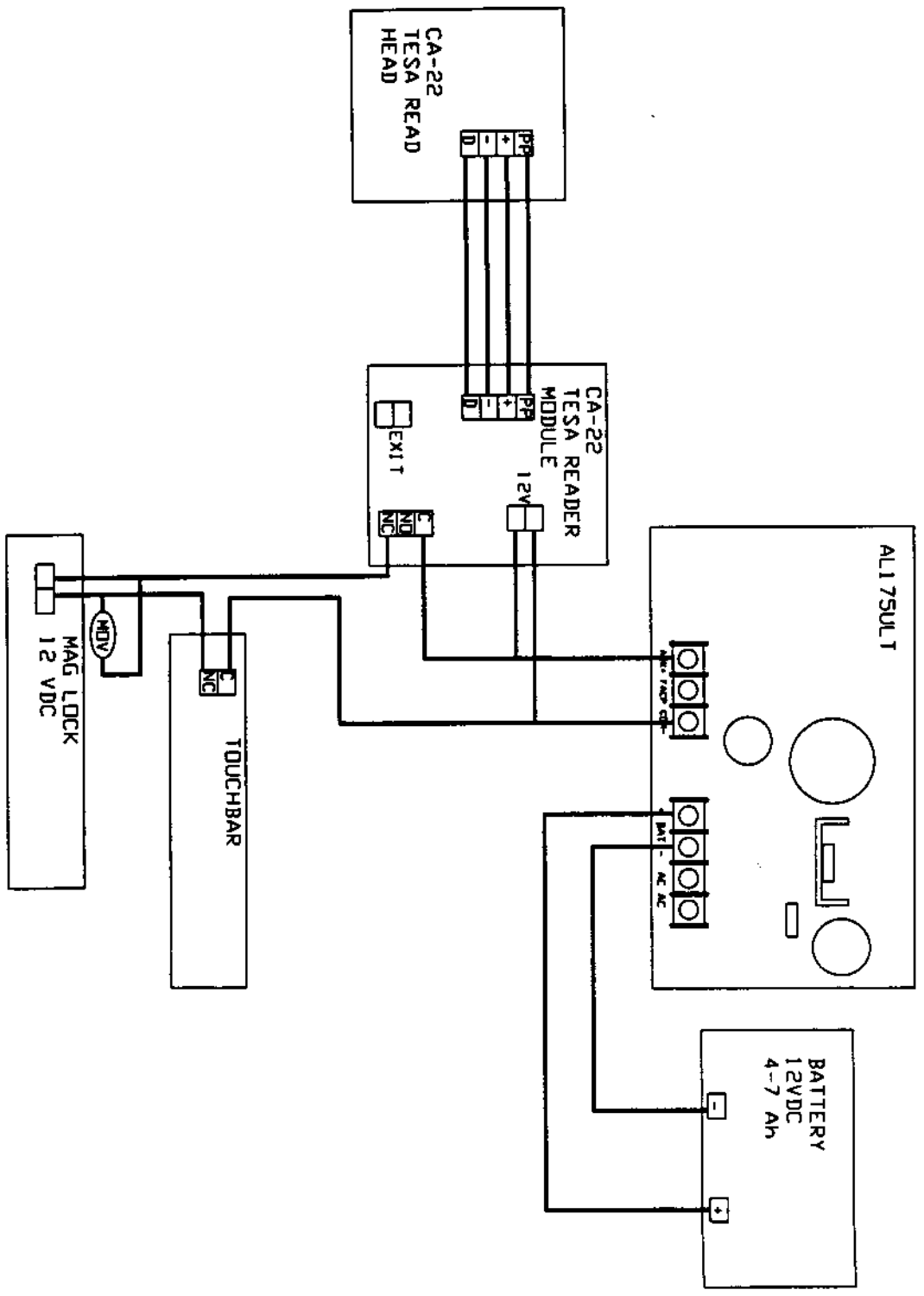


*** TESA CARD READER (2)
2x4 SINGLE GANG BOX
MOUNTED FLUSH TO FINISH
36-42 IN OFF FINISHED FLOOR
LOCATED ON JAMB SIDE OF DOOR
*** MAX 75 FT FROM POWER SUPPLY ***

NOTES:

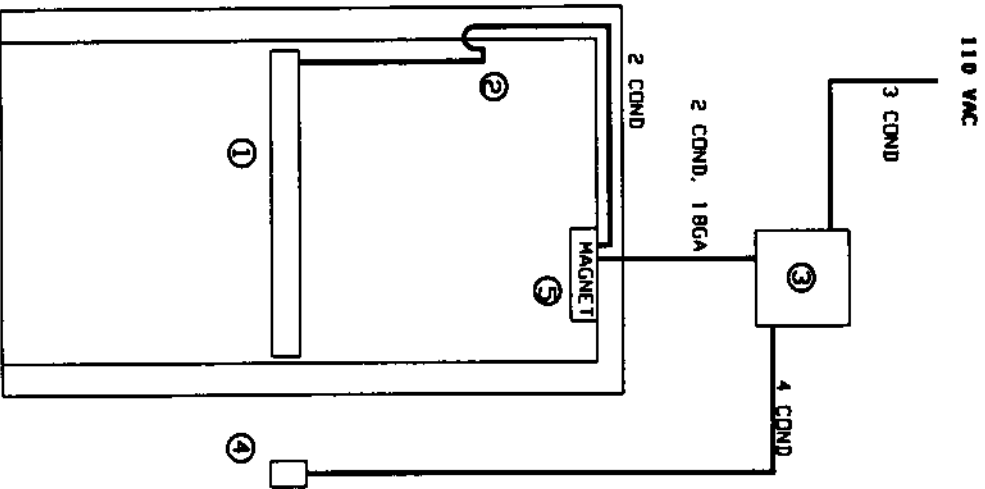
- (1) ALL CABLE 18 GA STRANDED PLENUM RATED MAX 30 FT FROM READER TO POWER SUPPLY
- (2) CONCEALED LOCATION OF POWER SUPPLY TO BE DETERMINED BY PROPERTY CONSULT ARCHITECT TO PROVIDE DOOR DIMENSIONS SO THAT DEVICES WILL MOUNT 36-42 IN OFF FINISHED FLOOR

ALL EQUIPMENT MUST BE 12VDC,
 FAIL SAFE CONTINUOUS DUTY



TESA ENTRY SYSTEMS 452829 05/15/98
 SYSTEM CONFIGURATION SA-1

ALL EQUIPMENT MUST BE 12VDC,
 FAIL SAFE CONTINUOUS DUTY



| MODEL | DESCRIPTION | CURRENT DRAW |
|------------|--------------------------|--------------|
| 1 8099M-1 | TOUCHBAR | |
| 2 | DODR LOOP | |
| 3 ALL75ULT | TESA 1. 75A POWER SUPPLY | |
| 4 LE22 | TESA CARD READER | 0.25A |
| 5 268-10 | MAGLDC | 0.68A |
| | | |
| | | |

NOTES:

- 1 ALL LOW VOLTAGE TO USE STRANDED, MULTI-CONDUCTOR COLOR-CODED CABLE WITHOUT SPLICES. ALL WIRING TO CONFORM TO ALL NATIONAL STATE, AND LOCAL CODES FOR CLASS 2 FIRE PROTECTION AND CONTROL DEVICES.
- 2 THE STANDARD DOCUMENTATION SUPPLIED WITH EQUIPMENT CONTAINS VALUABLE INFORMATION THAT SHOULD BE READ PRIOR TO INSTALLATION, AND ACROSS ALL RELAYS FOR SPIKE SUPPRESSION.
- 3 CONCEAL POWER SUPPLY AND CABLING WHENEVER POSSIBLE.
- 4 ENSURE THAT ANY WATER ENTERING THE READER WILL DRAIN FREELY AND CONNECTORS
- 5 EVERY OPENING WILL BE SUPPLIED WITH 50 FEET OF 18-4/18-2 CABLE AND CONNECTORS
- 6 *** 75 FEET MAXIMUM WIRE RUN FROM POWER SUPPLY TO READER ***