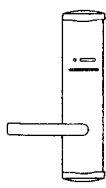
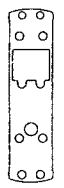
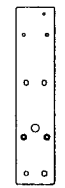
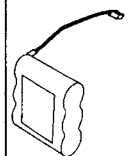
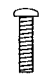




## AL5HPBVA / AW2HPBVA (for Von Duprin)

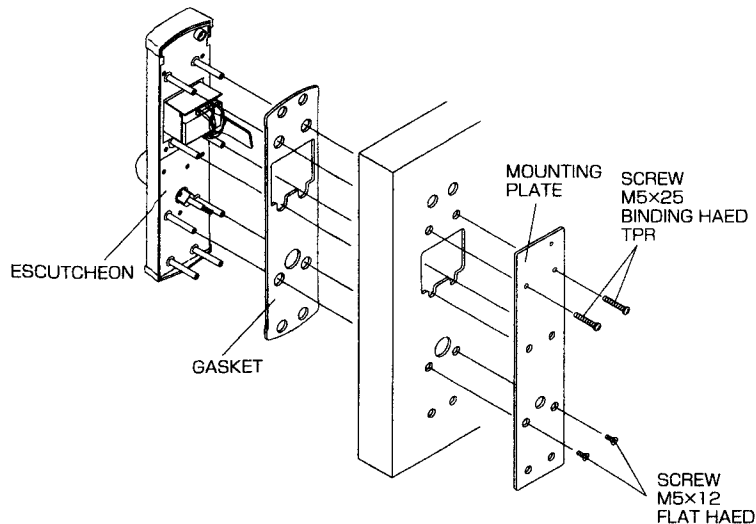
### Standard packing

Please check if below parts are available.

PARTS	ESCUTCHEON	GASKET	MOUNTING PLATE	BATTERIES	SCREW		
FIGURE							
QUANTITY	1	1	1	1	6	2	1

### Mounting escutcheon

- Mount the escutcheon and gasket from outside of the door.
- Hold the escutcheon, place the mounting plate from inside and tighten screws. (Watch different size of screws.)

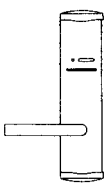
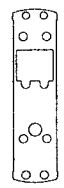
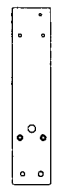
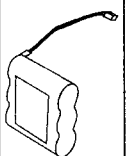

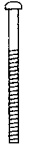


Be careful not to drop the escutcheon.

## AL5HPBMA / AW2HPBMA (for Monarch)

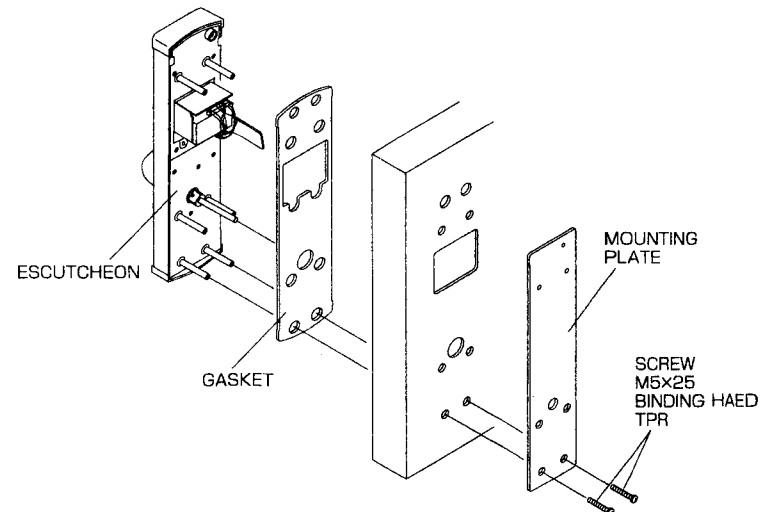
### Standard packing


※Please check if below parts are available.

PARTS	ESCUTCHEON	GASKET	MOUNTING PLATE	BATTERIES	SCREW	
FIGURE						
QUANTITY	1	1	1	1	6	1

### 1. Mounting escutcheon

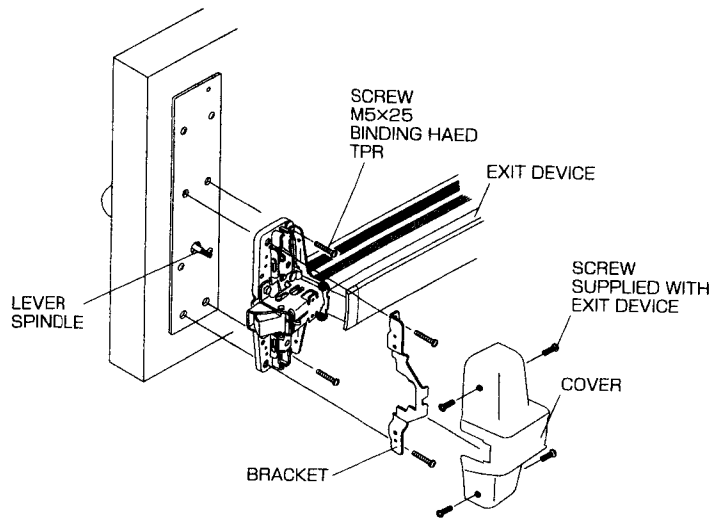
- Mount the escutcheon and gasket from outside of the door.
- Hold the escutcheon, place the mounting plate from inside and tighten screws.



 Be careful not to drop the escutcheon.

## Mounting exit device

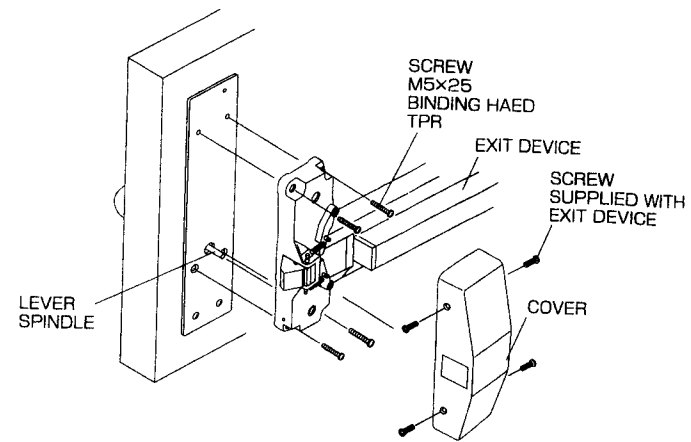
- ① Insert lever spindle to the exit device, mount the bracket and tighten screws.
- ② Mount the cover and tighten screws which have been supplied with the exit device.



Follow the instruction manual of exit device.

## 2 . Mounting exit device

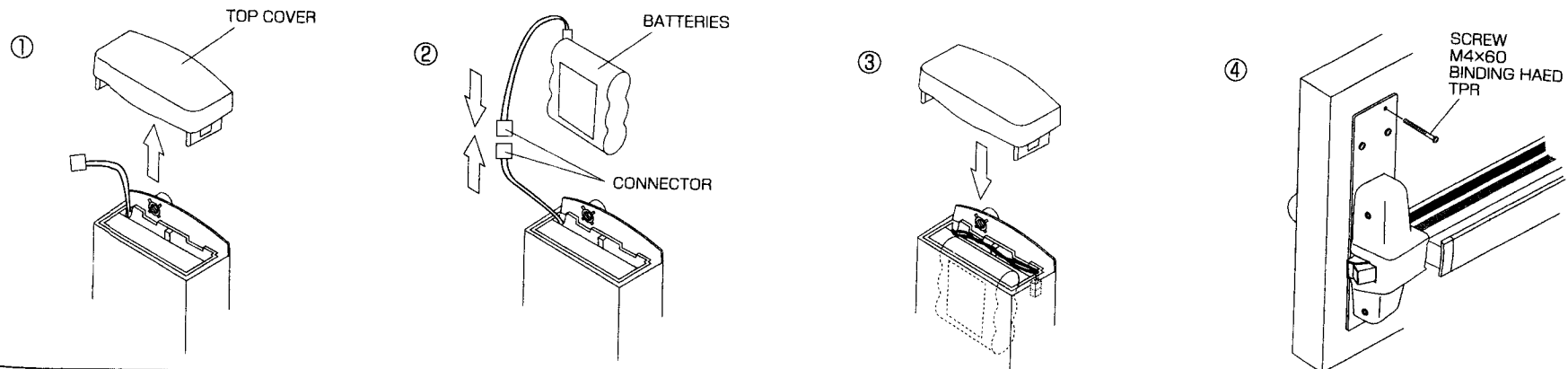
- ① Insert lever spindle to the exit device, and tighten screws.
- ② Mount the cover and tighten screws which have been supplied with the exit device.



※ Follow the instruction manual of exit device.

## Mounting batteries

- ① Remove the top cover of escutcheon.
- ② Connect batteries with escutcheon.
- ③ Return the top cover of escutcheon.
- ④ Tighten screws.



Do not use batteries other than recommended.

Check if batteries and escutcheon are properly connected.

Remarks: Insert the card and check if it operates properly after installation.  
Do not close the door before.