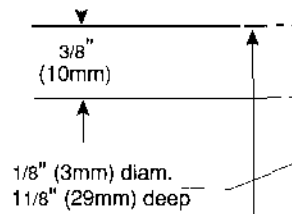
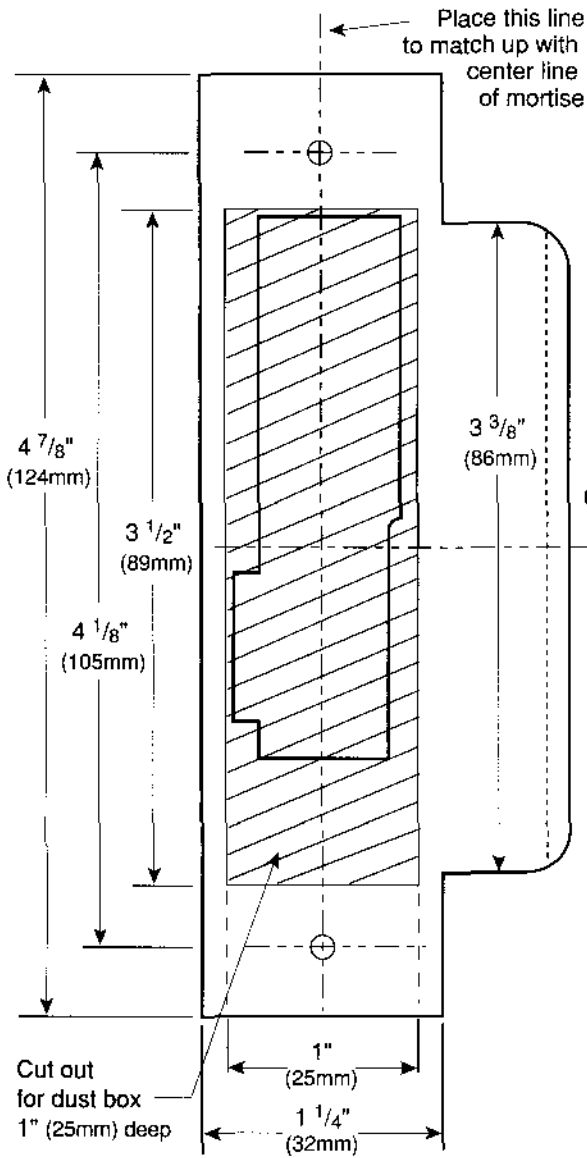


American Steel Mortise Template for:

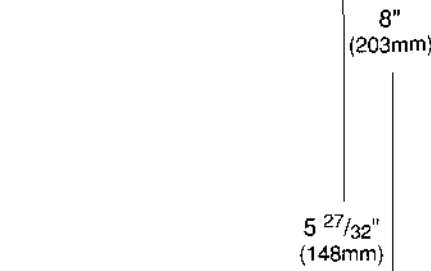
Model 700 (insert) - Model 800 (insert) - Model 800 (swipe)

Note: Use template for right and left hand doors.

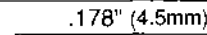
ASA door strike preparation (left or right)
(right hand strike shown below)



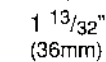
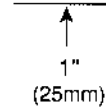
Place this line on center line of door thickness to make mortise cut out



Center line of strike plate



Center line of mortise



For RH with 0°
Fold & on edge

Center line of

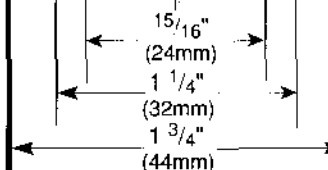


Center l

Cut out antifriction
7/8" (22

Cut out
4 1/4" (

Cut out front pl
1/4" (6



Standard door thickness

ILCO UNICAN

ILCO UNICAN INC. Electronic Access Control Division

7301 Decarie Blvd., Montreal, Quebec H4P 2G7 Canada

Tel.: (514) 735-5411 Fax: (514) 735-1394

From outside North America Fax: (514) 735-1393

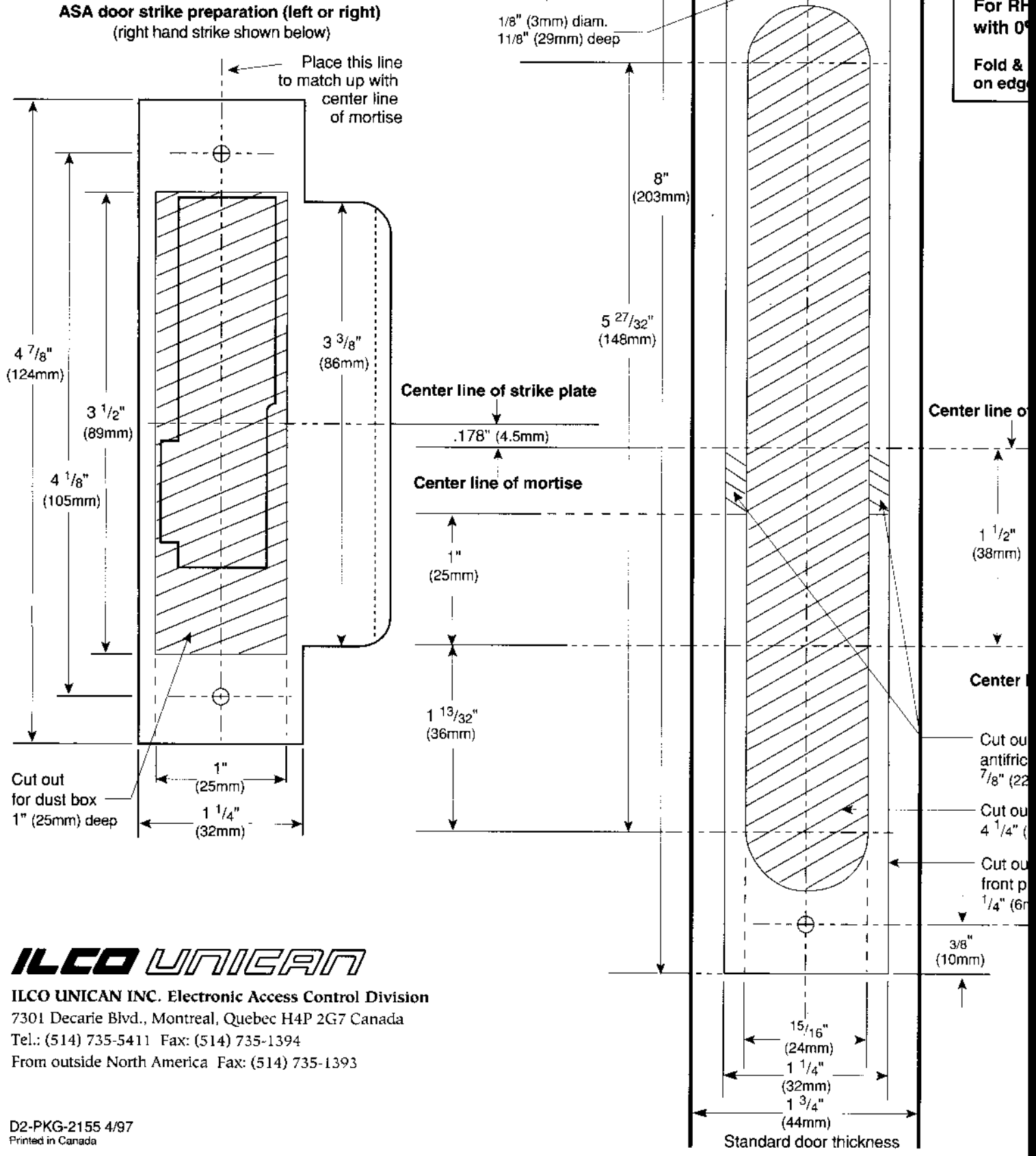
D2-PKG-2155 4/97

Printed in Canada

American Steel Mortise Template for:

Model 700 (insert) - Model 800 (insert) - Model 800 (swipe)

Note: Use template for right and left hand doors.



ILCO UNICAN

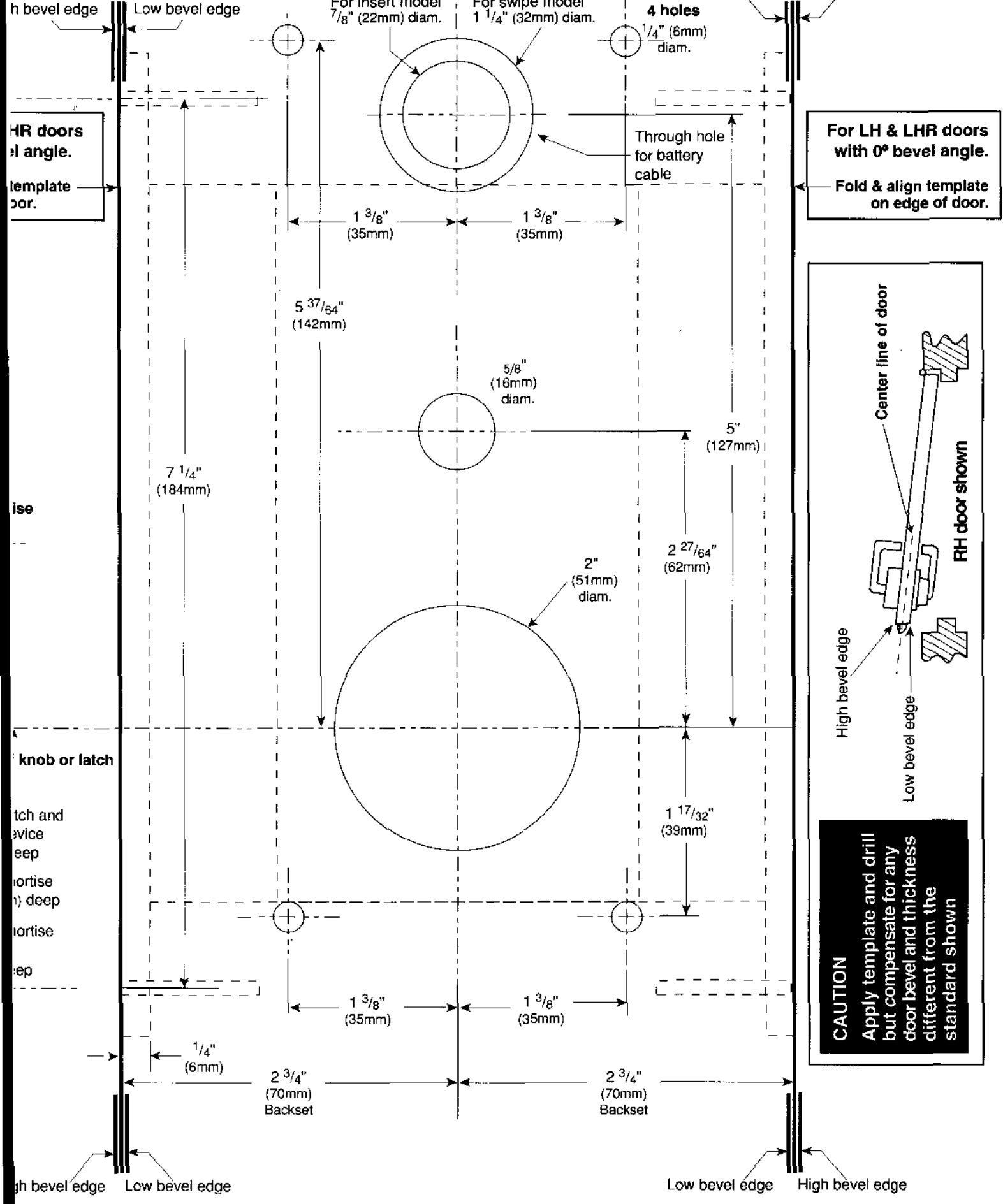
ILCO UNICAN INC. Electronic Access Control Division

7301 Decarie Blvd., Montreal, Quebec H4P 2G7 Canada

Tel.: (514) 735-5411 Fax: (514) 735-1394

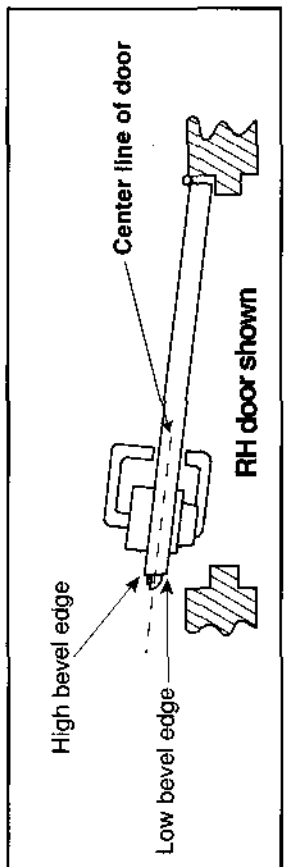
From outside North America Fax: (514) 735-1393

High Bevel Edge & Low Bevel Edge
 Specifications are for 3° Bevel Angle
 for 1 3/4" (44mm) Doors.



HR doors
 3° angle.
 Template for
 door.

For LH & LHR doors
 with 0° bevel angle.
 Fold & align template
 on edge of door.



CAUTION
 Apply template and drill
 but compensate for any
 door bevel and thickness
 different from the
 standard shown